

## High-pressure regulator



### Product features

This pressure regulator is designed for applications that require high flow rates, making it ideal for use in laser installations and plasma cutting systems.

This pressure regulator offers reliable performance and precision for demanding industrial applications.

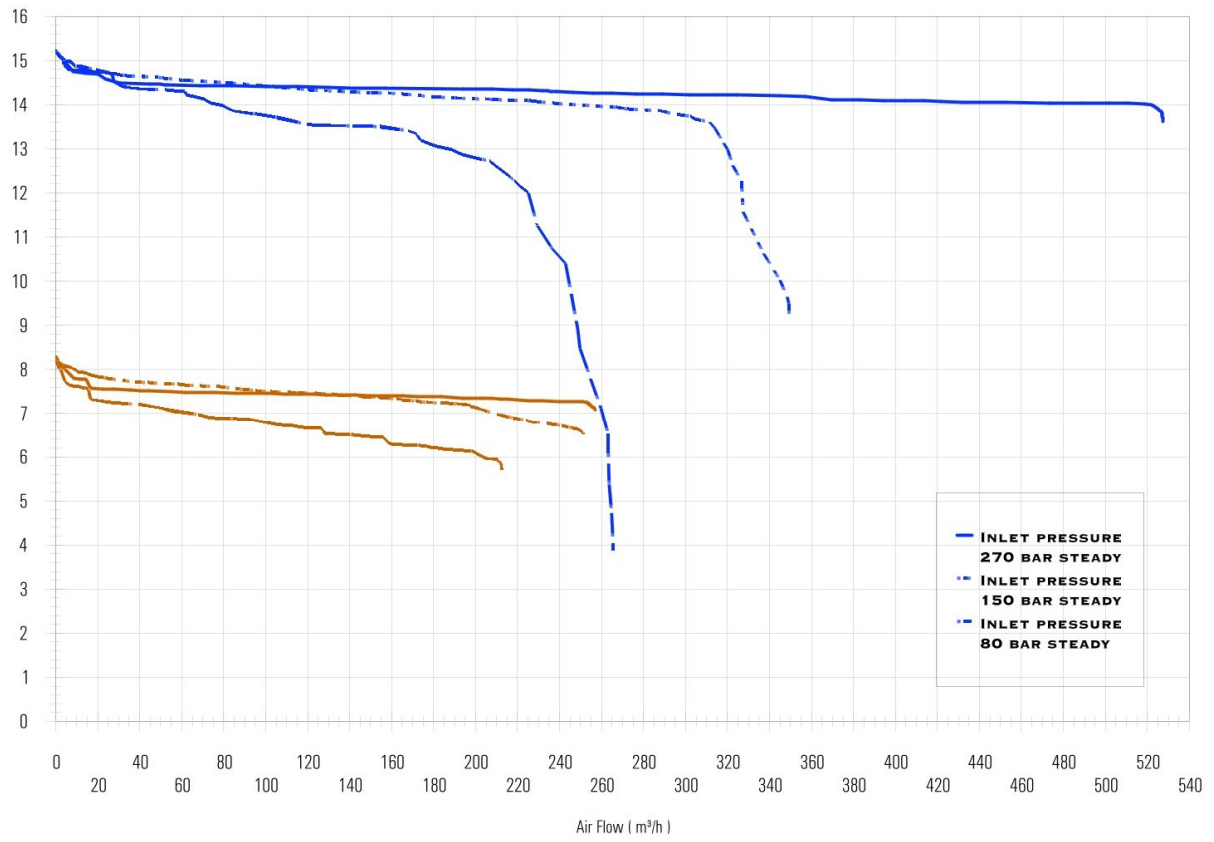
- **Robust construction:** Equipped with durable and corrosion-resistant stainless steel diaphragm for long life and reliability even in demanding environments.
- **Accurate pressure control:** Provides precise and stable pressure control to ensure optimal operating conditions in applications with high precision requirements.
- **Durable design:** Built to withstand tough industrial conditions, minimizing maintenance and downtime.
- **Versatile integration:** Can be easily integrated into various systems, making it versatile and easy to adapt to specific needs
- **High-quality materials:** Manufactured with high-quality materials and components to ensure safe operating and long-lasting performance.

### Technical data

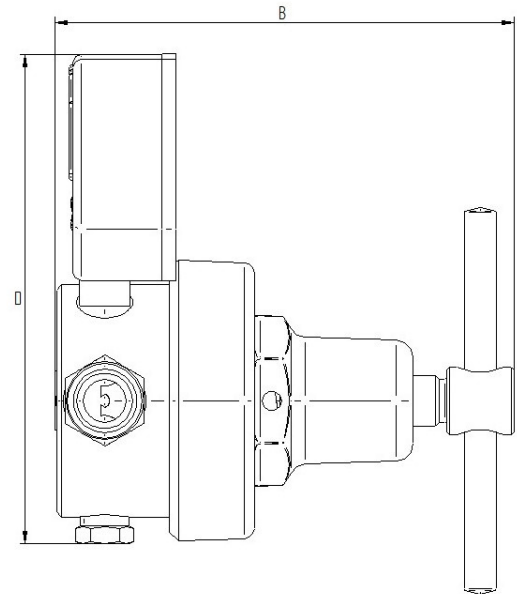
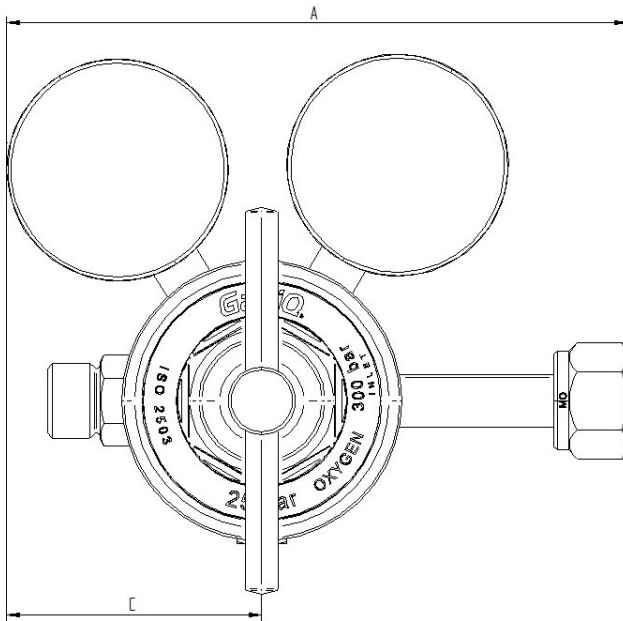
Type	1-stage/ Bottle packages
Regulator class	ISO 2503
Gas	Ar/mix/ Ac/ CO <sup>2</sup> / H <sub>2</sub> / N <sub>2</sub> Air/ O <sup>2</sup>
Inlet pressure P <sub>1</sub>	Max 300 bar
Outlet pressure P <sub>2</sub>	0-15 / 0-25 / 0-50 bar
Qn	500m <sup>3</sup> / 600m <sup>3</sup>
Material:	
Valve body	CW 617N/ CW 614N
Valve seat	Kel-F(CTFE)
Diaphragm	Stainless steel, AISI302
Bonnet	Aluminum, EN 6026
Connections:	
Inlet*	W24,32x1/14"
Outlet*	G1/2"
Temperature range	-20°C up to +70°C

\*other on request

Flow chart



## Dimensions



Inlet	Outlet	A	B	C	D
G3/4"Ext	G1/2"L	165mm	129mm	71mm	137mm
G5/8"Bullnose	G3/8"	191mm	140mm	71mm	137mm
G5/8"R Air	G1/2"	165mm	129mm	71mm	137mm
W21,8x1/14"	G1/2"	174mm	129mm	71mm	137mm
W21,8x1/14"	G3/8"	135mm	129mm	71mm	137mm
W21,8x1/14"L	G1/2"L	174mm	129mm	71mm	137mm
W24,32x1/14"	G1/2"	174mm	129mm	71mm	137mm